

AWWA C515 Flanged Resilient NRS Gate Valve (Z45X), 300PSI, UL/FM Approved



Z45X
 NSF/ANSI 312

- Connection Ends: Flange to ASME B16.1
- Working Pressure: 300PSI
- Working Pressure: 200PSI and 250PSI available upon request
- Temperature Range: 0°C - 80°C
- Coating: Fusion Bonded Epoxy Coating in accordance with ANSI/AWWA C550



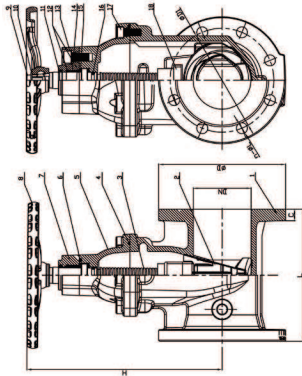
Z45X

AWWA C515 Flanged Resilient NRS Gate Valve with Post Flange (Z45XC-2), 300PSI



Z45XC-2

- Connection Ends: Flange to ASME B16.1
- Working Pressure: 300PSI
- Working Pressure: 200PSI and 250PSI available upon request
- Temperature Range: 0°C - 80°C
- Coating: Fusion Bonded Epoxy Coating in accordance with ANSI/AWWA C550

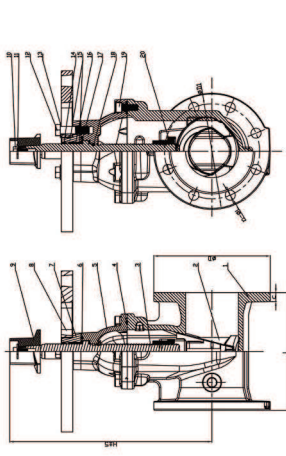


MATERIAL SPECIFICATION

Part No.	Part	Standard Specification	Options
1	Valve Body	ASTM A536 65-45-12	
2	Resilient Wedge Disc	ASTM A536 65-45-12-EPDM	
3	Stem	ASTM A536 65-45-12-EPDM	ASTM A536 65-45-12-EPDM
4	Bonnet Gasket	EPDM	ASTM A536 65-45-12-EPDM
5	Bonnet	ASTM A536 65-45-12	ASTM A536 65-45-12
6	O-Ring	EPDM	EPDM
7	Gland	ASTM A536 65-45-12	ASTM A536 65-45-12
8	Handwheel	ASTM A536 65-45-12	ASTM A536 65-45-12
9	Post Flange	ASTM A536 65-45-12	ASTM A536 65-45-12
10	Square Operating Nut	ASTM A536 65-45-12	ASTM A536 65-45-12
11	Flat Washer	Carbon Steel Zinc Plated	Carbon Steel Zinc Plated
12	Ring Washer	EPDM	EPDM
13	Nut	Carbon Steel Zinc Plated	Carbon Steel Zinc Plated
14	Axis Guide	Brass Hpb59-1	Brass Hpb59-1
15	Washer	EPDM	EPDM
16	O-Ring	EPDM	EPDM
17	Nut	Carbon Steel Zinc Plated	Carbon Steel Zinc Plated
18	Wedge Nut	Brass Hpb59-1	Brass Hpb59-1

Note: For special material request other than standard specification, please indicate clearly in the inquiry or order list.

Inch	mm	Dimensions (mm)					n-ØL	
		L	H(Z45X)	H(Z45XC)	D	D1		
2"	50	178	254	278	152	120.7	16	4-Ø19.1
2.5"	65	190	275	300	178	139.7	17.5	4-Ø19.1
3"	80	203	301	321	191	152.4	19.1	4-Ø19.1
4"	100	229	355	375	229	190.5	19.1	8-Ø19.1
5"	125	254	393	415	254	215.9	19.1	8-Ø22.2
6"	150	267	448	465	279	241.3	19.1	8-Ø22.2
8"	200	292	548	565	343	296.5	22.2	8-Ø22.2
10"	250	330	628	636	406	382	23.8	12-Ø25.4
12"	300	356	722	731	483	431.8	25.4	12-Ø25.4



MATERIAL SPECIFICATION

Part No.	Part	Standard Specification	Options
1	Valve Body	ASTM A536 65-45-12	
2	Resilient Wedge Disc	ASTM A536 65-45-12-EPDM	
3	Stem	ASTM A536 65-45-12-EPDM	ASTM A536 65-45-12-EPDM
4	Bonnet Gasket	EPDM	ASTM A536 65-45-12-EPDM
5	Bonnet	ASTM A536 65-45-12	ASTM A536 65-45-12
6	O-Ring	EPDM	EPDM
7	Gland	ASTM A536 65-45-12	ASTM A536 65-45-12
8	Post Flange	ASTM A536 65-45-12	ASTM A536 65-45-12
9	Square Operating Nut	ASTM A536 65-45-12	ASTM A536 65-45-12
10	Bit	Carbon Steel Zinc Plated	Carbon Steel Zinc Plated
11	Flat Washer	Carbon Steel Zinc Plated	Carbon Steel Zinc Plated
12	Nut	Carbon Steel Zinc Plated	Carbon Steel Zinc Plated
13	Flat Washer	Carbon Steel Zinc Plated	Carbon Steel Zinc Plated
14	Ring Wiper	EPDM	EPDM
15	O-Ring	EPDM	EPDM
16	Axis Guide	Brass Hpb59-1	Brass Hpb59-1
17	Washer	EPDM	EPDM
18	O-Ring	EPDM	EPDM
19	Nut	Carbon Steel Zinc Plated	Carbon Steel Zinc Plated
20	Wedge Nut	Brass Hpb59-1	Brass Hpb59-1

Note: For special material request other than standard specification, please indicate clearly in the inquiry or order list.

Inch	mm	Dimensions (mm)					n-ØL
		L	H	D	D1	C	
4"	100	229	395	229	190.5	19.1	8-Ø19.1
5"	125	254	432	254	215.9	19.1	8-Ø22.2
6"	150	267	475	279	241.3	19.1	8-Ø22.2
8"	200	292	565	343	296.5	22.2	8-Ø22.2
10"	250	330	666	406	382	23.8	12-Ø25.4
12"	300	356	751	483	431.8	25.4	12-Ø25.4